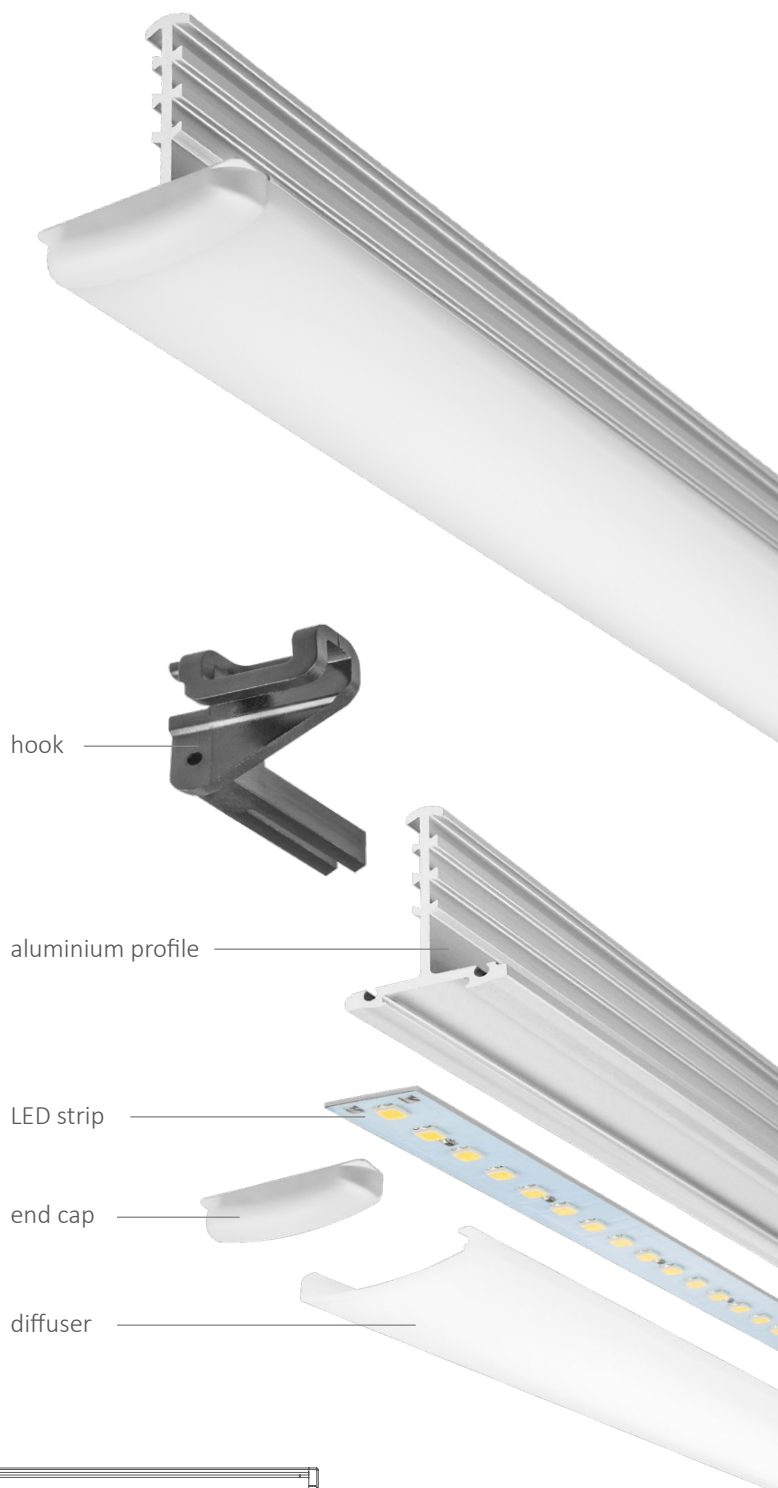
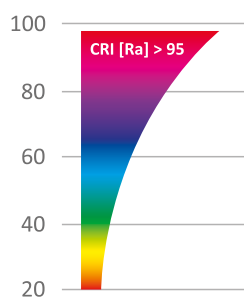




This lamp was created specifically for the printing, textile and trade industries. However, it can also be installed in dental practices and any other space where colour rendering is a priority. The advanced LED technology allows for **colour rendering index (CRI) over 95**.

Parameters

Power	20 W
Input voltage	24V DC (SELV)
Beam angle	140°
Colour	Neutral white
Colour temperature	5000 K
Luminous flux	1600 lm
LED durability	50.000 h
Ambient temperature range	From 2°C to 40°C
Controls and dimming	Dimmable
IP code	IP40
Colour Rendering Index (CRI)	> 95
Energy class	A+



Dimensions

